

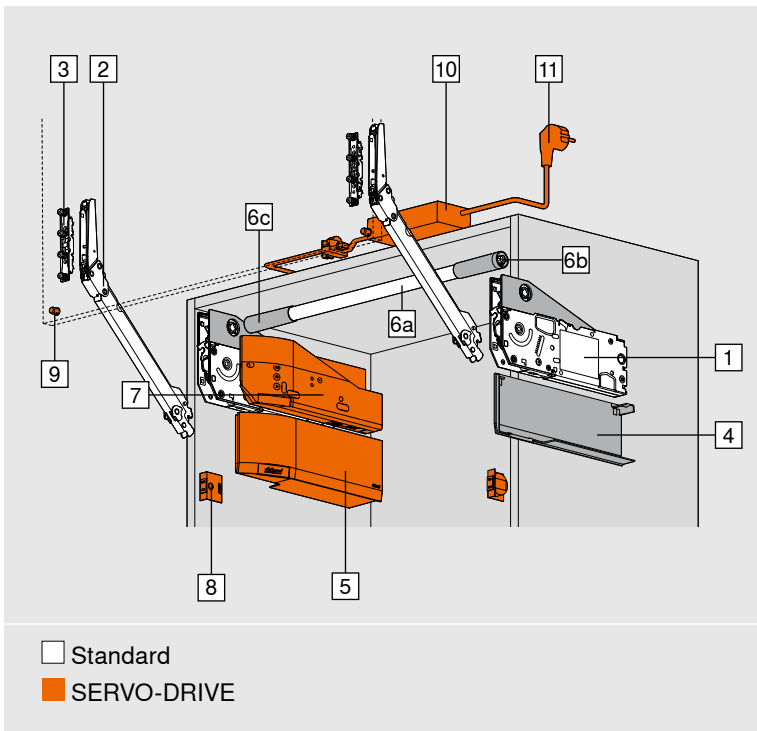


AVENTOS HL top

Technical data sheet

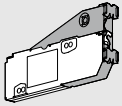
www.blum.com

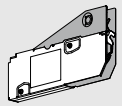
 **blum**[®]

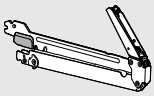


- Ideal for small-area, one-part fronts
- Cabinet height 300-580 mm
- Cabinet width up to 1800 mm
- Internal depth of at least 264 mm
- Integrated BLUMOTION for soft and effortless closing
- Light operating forces
- Variable stop
- Fixed position of the lift mechanism and front fixing bracket
- Symmetrical lever
- Tool-free assembly
- Two lift mechanism fixing methods
- 3-dimensional adjustment of the front

Ordering information

1	<input type="checkbox"/> Standard <input checked="" type="checkbox"/> SERVO-DRIVE	Lift mechanism	
	Fixing with chipboard screws with positioning system		
	KH (mm)		
	300-389	2 x	22L2201
	390-580	2 x	22L2501
Symmetrical lift mechanism			
KH Cabinet height			

1	<input type="checkbox"/> Standard <input checked="" type="checkbox"/> SERVO-DRIVE	Lift mechanism	
	Fixing with pre-mounted system screws		
	KH (mm)		
	300-389	2 x	22L2211
	390-580	2 x	22L2511
Symmetrical lift mechanism			
KH Cabinet height			

2	<input type="checkbox"/> Standard <input checked="" type="checkbox"/> SERVO-DRIVE	Lever arm	
	Colour	Material	
	NI	Steel	
	KH (mm)	FG (kg)	
	300-339	1.50-9.00	2 x 22L3201
	340-389	1.75-10.00	2 x 22L3501
	390-540	2.00-12.25	2 x 22L3801
	480-580	2.50-14.00	2 x 22L3901
Symmetrical lever arm			
FG Front weight			
KH Cabinet height			

Ordering information

	3	Front fixing bracket		
	Wooden fronts and wide alu frames			
	Screw-on ¹	2 x	20S4201	
	EXPANDO	2 x	20S42E1	
		Knock-in	2 x	20S4231

¹ Use 4 chipboard screws (609.1x00) per side for wooden fronts.
Use 4 countersunk self-tapping screws (660.0950) per side for wide alu frames.

	-	Front fixing bracket		
	Narrow alu frames			
			2 x	20S4201A

	4	Cover cap right		
	Colour	Material		
	SW, HGR, TGR	K		22.8001

	-	Cover cap left		
	Colour	Material		
	SW, HGR, TGR	K		22.8001

	5	SERVO-DRIVE cover cap left		
	Colour	Material		
	SW, HGR, TGR	K		23.8001

	-	Branding element		
	Material			
				K

Version		Colour	
		SW-M, TGR	IN-G
Printed *	2 x	ABD.1000.BL	ABD.1009.BL
Customised, printed branding element from 1000 pcs			
Embossed *	2 x	ABD.1000.BT	ABD.1009.BT
Customised, embossed branding element starting from 5000 pcs			
Plain	2 x	ABD.1000	ABD.1009

* With Blum logo

	6	Pre-mounted cross stabiliser incl. attachment and cover cap		
	Cabinet width (mm)			
	600			22Q449M
	800			22Q649M
	900			22Q749M
	1000			22Q849M
		1200		22Q1049M

Note
For side panel thicknesses 15–19 mm

Alternative to 6

	6a	Cross stabiliser rod		
		1076 mm		22Q1076U

For cutting to size

- LW - 113 mm
- SWD 15–19 mm: KB - 151 mm
- SWD 20–25 mm: KB - 161 mm
- LW Internal cabinet width
- SWD Cabinet side panel thickness

	6b	Stabiliser adapter		
	Material			
		Zinc		
		Stabiliser adapter		22Q0002
		Adapter for cross stabiliser		22Q0004

	6c	Cross stabiliser cover cap		
	Colour	Material		
	TGR	K		
			2 x	22Q0003

	-	Cross stabiliser fixing		
	Colour	Material		
	TGR	K		22Q0007

Recommended from an internal cabinet width \geq 1190 mm or a cabinet width \geq 1228 mm

	-	Cross stabiliser connecting piece		
	Material			
		Zinc		22Q080Z.1

Recommended from an internal cabinet width \geq 1190 mm or a cabinet width \geq 1228 mm

Colour/material	
NI	Nickel plated
SW	Silk white
SW-M	Silk white matt
HGR	Light grey
TGR	Dark grey
IN-G	In-mould brushed stainless steel
K	Nylon

Ordering information

	7 SERVO-DRIVE drive unit		
	Colour	Material	
	TGR	K	23.A001

	8 SERVO-DRIVE switch		
	Colour	Material	2 x
	SW, HGR, TGR	K	23P5020
Incl. battery			

	9 Blum distance bumper		
	Colour	Material	
	R7037	K	
	Ø 5 mm		993.0530
	Ø 8 mm		993.0830.01

	- SERVO-DRIVE distribution cable		
	Colour	Length (m)	
	S	8	Z10K800AE
For cutting to size			

	- Connecting node		
	Colour	Material	
	S	K	Z10V100E.01

	10 SERVO-DRIVE power supply unit			
	A	Z10NE030A	F	Z10NE030F
	B	Z10NE030B	G	Z10NE030G
	C	Z10NE030C	H	Z10NE030H
	D	Z10NE030D	J	Z10NE030J
	E	Z10NE030E		

Includes operating and installation instructions

Without flex

Language package

A	DE, EN, FR, IT, NL	F	BG, ET, LT, LV, RO, RU
B	DA, EN, FI, NO, SV	G	EN, ES, FR
C	EL, EN, HR, SL, SR, TR	H	EN, ZH
D	EN, ES, FR, IT, PT	J	JA
E	CS, HU, PL, SK		

Language descriptions as per ISO-639

	11 Flex			
	Market		Market	
	AR	Z10M200A	JP	Z10M200J
	UK	Z10M200B	AU	Z10M200K
	CH	Z10M200C	CL	Z10M200L
	DK	Z10M200D	CN	Z10M200N
	Europe	Z10M200E	BR	Z10M200S.01
	Europe ¹	Z10M200E.OS	TW	Z10M200T
	IN	Z10M200H	US, CA	Z10M200U
	IL	Z10M200I	ZA	Z10M200Z

Length 2 m, incl. plug

¹ Without plug

	- Power supply unit housing		
	Panel fixing		
	Colour	Material	
	WGR	K	Z10NG120
For SERVO-DRIVE power supply unit			

	- Cable holder		
	Colour	Material	
	W	K	Z10K0009
E.g. for fixing the SERVO-DRIVE distribution cable			

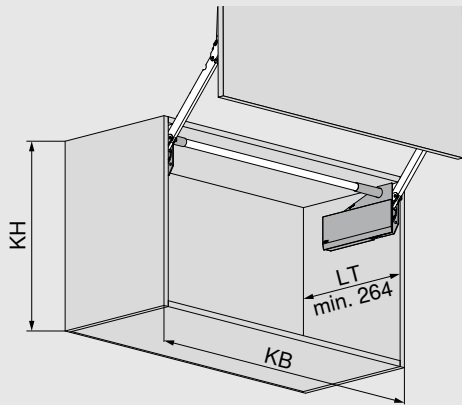
Accessories

	- SERVO-DRIVE switch attachment		
	Colour	Material	2 x
	SW, HGR, TGR	K	23P5216
For attaching the SERVO-DRIVE switch to the cabinet side without milling			

Colour/material	
SW	Silk white
HGR	Light grey
TGR	Dark grey
W	White
WGR	White grey
S	Black
R7037	RAL 7037 dust grey
K	Nylon

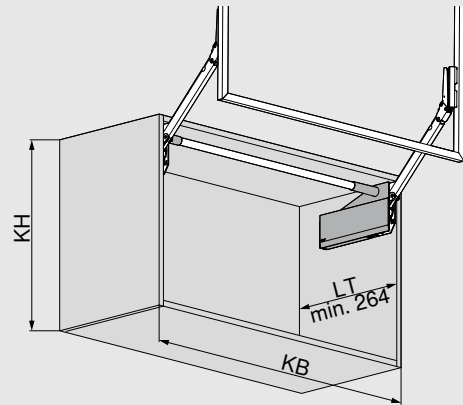
Planning

Symmetrical wooden fronts



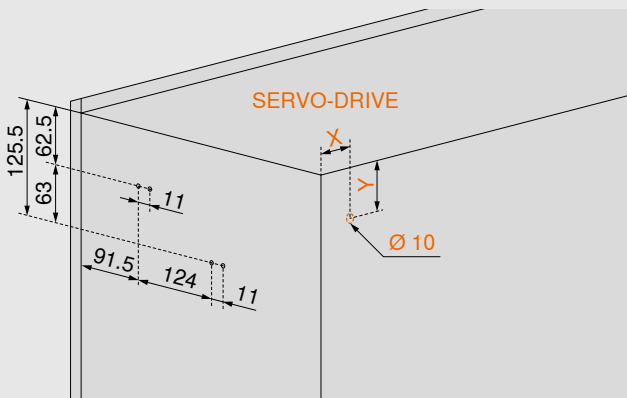
- KB Cabinet width
- KH Cabinet height
- LT Internal cabinet depth

Symmetrical alu frames



- KB Cabinet width
- KH Cabinet height
- LT Internal cabinet depth

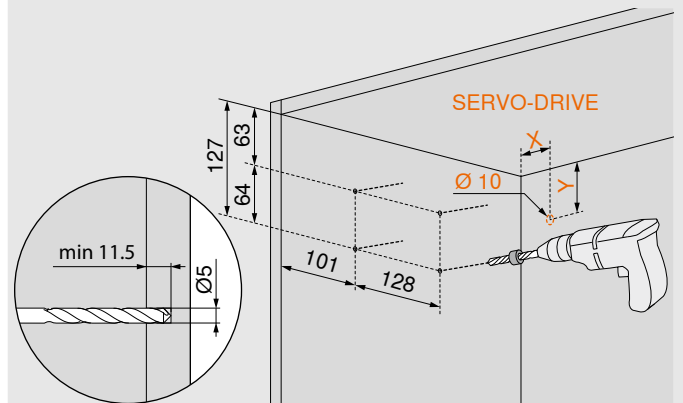
Fixing position for lift mechanism with chipboard screws incl. positioning system



SERVO-DRIVE

- X 38.5 mm
- Y 71 mm

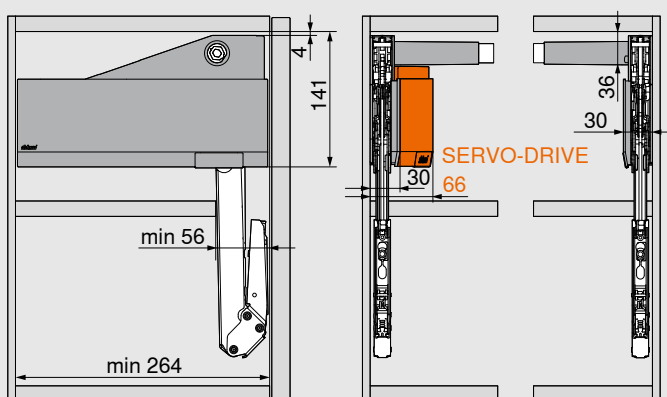
Fixing position for lift mechanism with pre-mounted system screws



SERVO-DRIVE

- X 38.5 mm
- Y 71 mm

Space requirement



Planning

Front setting

Lever arm	a (mm)	b (mm)	c (mm)	Y (mm)
22L3201	112	272.5	155.5	272.5
22L3501	140.5	340	195	340
22L3801	176	425	245	425
22L3901	214.5	517	297.5	517

Dimension (b) based on bottom gap (= 0 mm)
 Dimension (Y) based on top gap (= 0 mm)
 KH Cabinet height

Space requirement – cornice | crown moulding

Top panel thickness (SOB)	X (mm)
16 mm	25
17 mm	26
18 mm	27
19 mm	28
20 mm	29

Front assembly

Wooden fronts and wide alu frames

Lever arm	Z
22L3201	113 + FAo
22L3501	153 + FAo
22L3801	203 + FAo
22L3901	256 + FAo

SFA Side front overlay
 FAu Bottom front overlay
 F Gap
 FH Front height
 KH Cabinet height

Narrow alu frames

Lever arm	Z
22L3201	113.5 + FAo
22L3501	153.5 + FAo
22L3801	203.5 + FAo
22L3901	256.5 + FAo

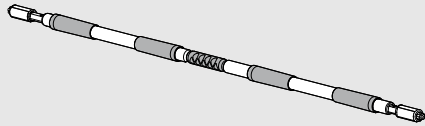
FAo Upper front overlay
 FAu Bottom front overlay
 F Gap
 FH Front height
 KH Cabinet height

Planning

Extra wide applications

Cross stabiliser from an internal cabinet width ≥ 1190 mm or a cabinet width ≥ 1228 mm

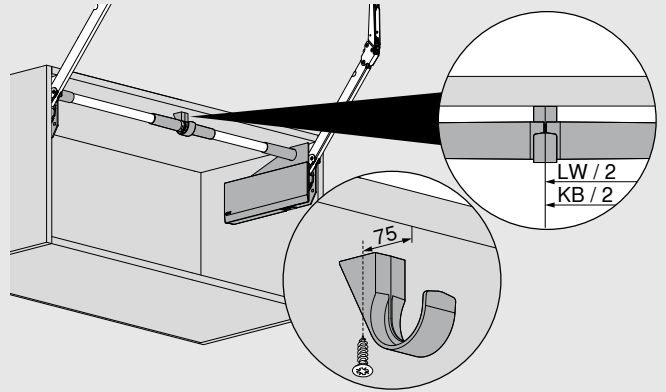
Cross stabiliser



Cabinet side panel thickness	15–19 mm	20–25 mm
	KB/2 – 151 mm	KB/2 – 161 mm

KB Cabinet width

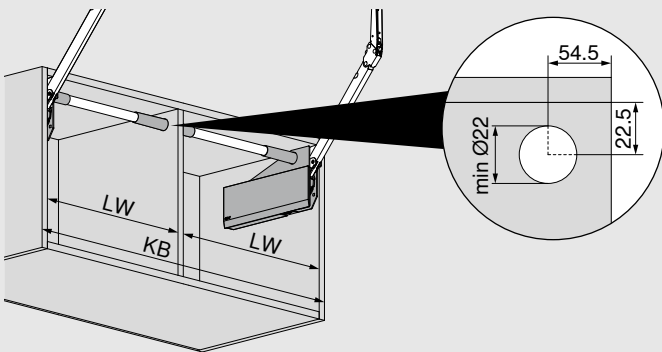
Cross stabiliser fixing



KB Cabinet width

LW Internal cabinet width

Version with dividing wall

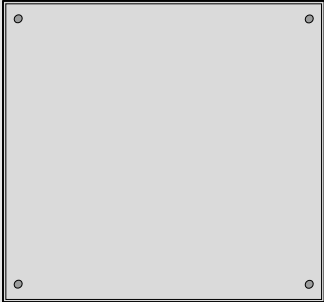


KB Cabinet width

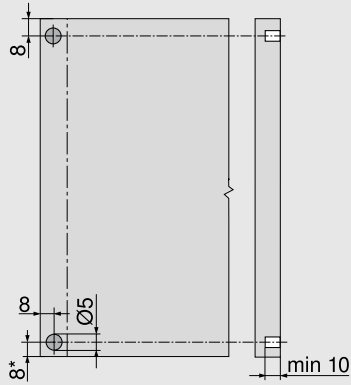
LW Internal cabinet width

SERVO-DRIVE for AVENTOS HL top

Blum distance bumper (SERVO-DRIVE application only)



Insert Blum distance bumper (do not glue)



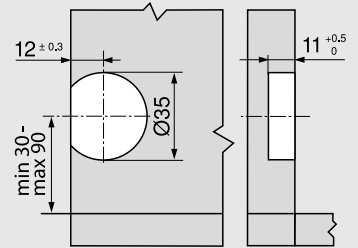
Recommendation for aluminium frames

Take into account the drilling for the Blum distance bumper in the cabinet side

A trial application must be carried out when fixing to the front

* From cabinet bottom edge for fronts that protrude below

SERVO-DRIVE switch



Assembly and adjustment



Our EASY ASSEMBLY app provides information about assembly and adjustment of AVENTOS HL top and SERVO-DRIVE

www.blum.com/eaapp

Julius Blum GmbH
Furniture Fittings Mfg.
6973 Höchst, Austria
Tel.: +43 5578 705-0
Fax: +43 5578 705-44
E-mail: info@blum.com
www.blum.com

Our sites in Austria, Poland and China are certified to the international standards mentioned below.
Our site in the USA is certified to ISO 9001.
Our site in Brazil is certified to ISO 9001, ISO 14001 and ISO 45001.



ISO 9001
Certified Quality
System



ISO 14001
Certified Environmental
System



ISO 50001
Certified Energy
System

 **blum**®



Look for our
FSC™-certified
products

All content is copyrighted by Blum.
Subject to technical modifications and changes to the range without notice.
TD-145/1 EN-AL/05.23